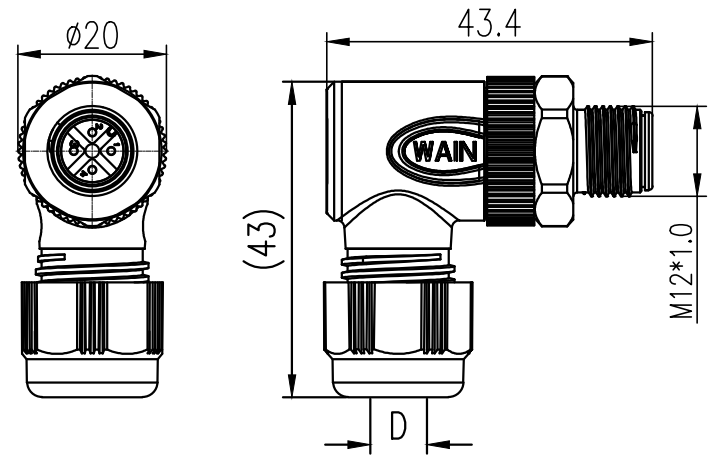


插针数 Contacts	料号 Order No.	产品代号 Part Code	电缆直径(D) Cable outlet	重量 Weight
4	1630045113201	M12S-M04A-S-D6	4-6mm	24.8g
	1630045113202	M12S-M04A-S-D8	6-8mm	24.6g
5	1630055113201	M12S-M05A-S-D6	4-6mm	26.6g
	1630055113202	M12S-M05A-S-D8	6-8mm	26.4g



电缆直径:D6,D8
Cable outlet:D6,D8

技术参数:

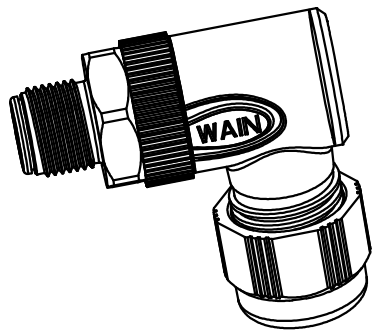
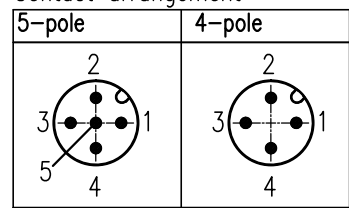
- 产品系列: M12-A 编码
 - 插针数: 4 5
 - 额定电流(40℃): 4A 4A
 - 额定电压: 250V 125V
 - 额定脉冲电压: 2500V 1500V
 - 污染等级: 3
 - 接触电阻: ≤10mΩ
 - 防护等级: IP67
 - 插拔次数: >100
 - 温度范围: -40℃...+85℃
 - 绝缘阻抗: >100MΩ
 - 接线方式: 螺钉锁紧
 - 线径范围: max.0.75mm² (max.AWG18)
 - 锁紧扭矩: 0.2Nm (螺钉接线)
 - 电缆直径: 4-6mm,6-8mm
 - 电缆剥线长度: 20mm
 - 导线剥线长度: 5mm
- 材料特性:
- 锁紧螺帽: 不锈钢
 - 插针材料: 铜合金
 - 插针表面处理: 镀金
 - 外壳材料: PA
 - 颜色: RAL 9005 (黑色)
 - 绝缘材料: PA

Technical specification:

- Series: M12 A-Code
 - Number of contacts: 4 5
 - Rated current(40℃): 4A 4A
 - Rated voltage: 250V 125V
 - Rated impulse voltage: 2500V 1500V
 - Pollution degree: 3
 - Contact resistance: ≤10mΩ
 - Degree of protectio: IP67
 - Mating cycles: >100
 - Temperature range: -40℃ - +85℃
 - Insulation resistance: ≥100MΩ
 - Termination method: screw connection
 - Wire gauge: max.0.75mm² (max.AWG18)
 - Torque: 0.2Nm (screw terminal blocks)
 - Cable Outlet: 4~6mm,6-8mm
 - Stripping length of the sheath: 20mm
 - Stripping length of the individual wire:5mm
- Material properties :
- Material of locking system: Stainless steel
 - Material of contact: copper alloy
 - Contact plating: Au
 - Material of housing : PA
 - Colour of housing: RAL 9005 (Black)
 - Material of Insert: PA

针位排布图

Contact arrangement



符合标准: IEC 61076-2-101

Standards: IEC 61076-2-101

标记 Mark	处数 Number	变更描述/Description	签名 Signature	日期 Date	表面处理 Finish	-				图号 Drawing No.	-
					材料 Material	-				产品代号 Part Code	M12S-M0xA-T-Dx
					比例 Scale	版本 REV.	重量 Weight	数量 Qty.		产品料号 Part No.	-
绘图 Drawn	ZM LIN	26.11.2015	标准化 Stand.	-	-					产品名称 Part Name	-
审核 Checked	YY LUO	26.11.2015			1:1	V1.0	-	-			
工艺 Process	-	-	批准 Approved	YY LUO	26.11.2015	All Dimensions in mm Original Size DIN A 4				厦门唯恩电气有限公司 XIAMEN WAIN ELECTRICAL CO.LTD	