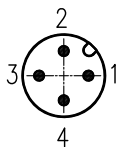
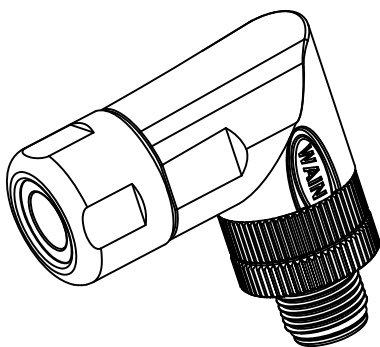


针位排布图
Contact arrangement



电缆直径:D6,D8
Cable outlet:D6,D8



技术参数:

- 产品系列: M12 A-Code
- 插针数: 4
- 额定电流(40℃): 4A
- 额定电压: 250V
- 额定脉冲电压: 2500V
- 污染等级: 3
- 接触电阻: ≤10mΩ
- 防护等级: IP67
- 插拔次数: >100
- 温度范围: -40℃...+85℃
- 绝缘阻抗: ≥100MΩ
- 接线方式: 螺钉锁紧
- 线径范围: max.0.75mm² (max.AWG18)
- 锁紧扭矩: 0.2Nm (螺钉接线)
- 电缆直径: 4-6mm, 6-8mm
- 电缆剥线长度: 40mm
- 导线剥线长度: 5mm

材料特性:

- 锁紧螺帽: 金属
- 插针材料: 铜合金
- 插针表面处理: 镀金
- 外壳材料: 锌合金
- 绝缘材料: PA

Technical specification:

- Series: M12 A-Code
- Number of contacts: 4
- Rated current(40℃): 4A
- Rated voltage: 250V
- Rated impulse voltage: 2500V
- Pollution degree: 3
- Contact resistance: ≤10mΩ
- Degree of protectio: IP67
- Mating cycles: >100
- Temperature range: -40℃ - +85℃
- Insulation resistance: ≥100MΩ
- Termination method: screw connection
- Wire gauge: max.0.75mm² (max.AWG18)
- Torque: 0.2Nm (screw terminal blocks)
- Cable Outlet: 4-6mm, 6-8mm
- Stripping length of the sheath: 40mm
- Stripping length of the individual wire:5mm

Material properties :

- Material of locking system: Metal
- Material of contact: copper alloy
- Contact plating: Au
- Material of housing : Zinc die-cast
- Material of Insert: PA

Standards: IEC 61076-2-101

符合标准: IEC 61076-2-101

| | | | | | | | | | | | | | |
|---------------|--|--------------|--|------------------|--|----------------|--|-----------------|--|---|--|---|--|
| | | | | | | 表面处理 Finish | | - | | 图号 Drawing No. | | - | |
| | | | | | | 材料 Material | | - | | 产品代号 Part Code | | M12-M04A-S-D8-SH | |
| 标记 Mark | | 处数 Number | | 变更描述/Description | | | | 签名 Signature | | 日期 Date | | 产品料号 Part No. | |
| | | | | | | | | | | | | 1630045112002 | |
| | | | | 姓名/Name | | 日期/Date | | 姓名/Name | | 日期/Date | | 产品名称 Part Name | |
| | | | | | | | | | | | | - | |
| 绘图 Drawn | | ZQ XU | | 15.12.2016 | | 标准化 Stand. | | - | | - | | 比例 Scale | |
| 审核 Checked | | ZM LIN | | 15.12.2016 | | | | | | | | 版本 REV. | |
| 工艺 Process | | - | | - | | 批准 Approved | | YY LUO | | 15.12.2016 | | 重量 Weight | |
| | | | | | | | | | | | | 数量 Qty. | |
| | | | | | | | | | | | | 75.8g | |
| | | | | | | | | | | | | - | |
| | | | | | | | | | | All Dimensions in mm Original Size DIN A 4 | | 厦门唯恩电气有限公司 XIAMEN WAIN ELECTRICAL CO.LTD | |