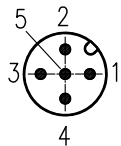
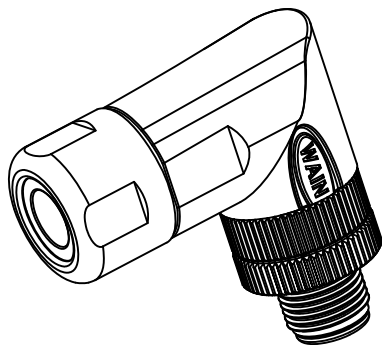


针位排布图

Contact arrangement



电缆直径:D6,D8
Cable outlet:D6,D8



技术参数:

- 产品系列: M12 A-Code
- 插针数: 5
- 额定电流(40°C): 4A
- 额定电压: 125V
- 额定脉冲电压: 1500V
- 污染等级: 3
- 接触电阻: ≤10mΩ
- 防护等级: IP67
- 插拔次数: >100
- 温度范围: -40°C...+85°C
- 绝缘阻抗: ≥100MΩ
- 接线方式: 螺钉锁紧
- 线径范围: max.0.75mm² (max.AWG18)
- 锁紧扭矩: 0.2Nm (螺钉接线)
- 电缆直径: 4-6mm, 6-8mm
- 电缆剥线长度: 40mm
- 导线剥线长度: 5mm

材料特性:

- 锁紧螺帽: 金属
- 插针材料: 铜合金
- 插针表面处理: 镀金
- 外壳材料: 锌合金
- 绝缘材料: PA

Technical specification:

- Series: M12 A-Code
- Number of contacts: 5
- Rated current(40°C): 4A
- Rated voltage: 125V
- Rated impulse voltage: 1500V
- Pollution degree: 3
- Contact resistance: ≤10mΩ
- Degree of protectio: IP67
- Mating cycles: >100
- Temperature range: -40°C - +85°C
- Insulation resistance: ≥100MΩ
- Termination method: screw connection
- Wire gauge: max.0.75mm² (max.AWG18)
- Torque: 0.2Nm (screw terminal blocks)
- Cable Outlet: 4-6mm, 6-8mm
- Stripping length of the sheath: 40mm
- Stripping length of the individual wire:5mm

Material properties :

- Material of locking system: Metal
- Material of contact: copper alloy
- Contact plating: Au
- Material of housing : Zinc die-cast
- Material of Insert: PA

Standards: IEC 61076-2-101

符合标准: IEC 61076-2-101

						表面处理 Finish		-		图号 Drawing No.		-	
						材料 Material		-		产品代号 Part Code		M12-M05A-S-D8-SH	
标记 Mark		处数 Number		变更描述/Description				签名 Signature		日期 Date		产品料号 Part No.	
												1630055112002	
				姓名/Name		日期/Date		姓名/Name		日期/Date		产品名称 Part Name	
												-	
绘图 Drawn		ZQ XU		15.12.2016		标准化 Stand.		-		-		比例 Scale	
审核 Checked		ZM LIN		15.12.2016						版本 REV.		V1.0	
工艺 Process		-		-		批准 Approved		YY LUO		15.12.2016		重量 Weight	
												76.9g	
												数量 Qty.	
												-	
										All Dimensions in mm Original Size DIN A 4			
										厦门唯恩电气有限公司 XIAMEN WAIN ELECTRICAL CO.LTD			