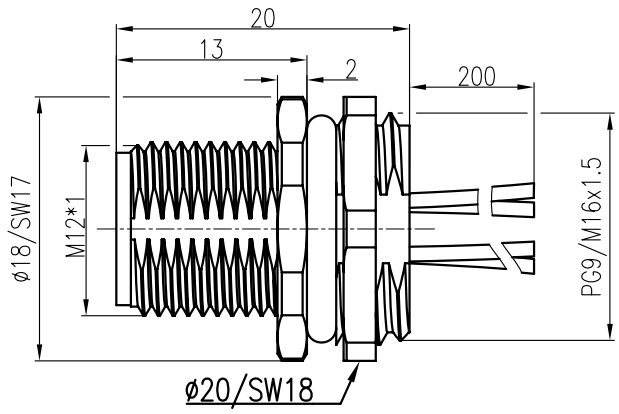
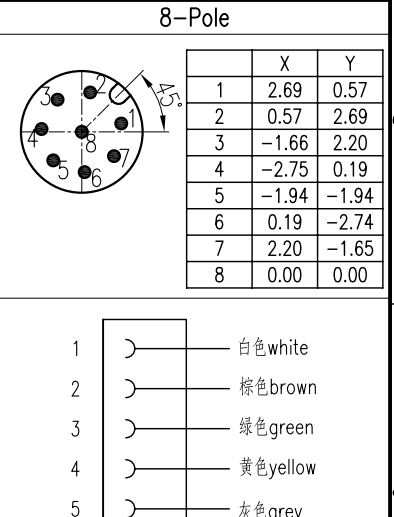
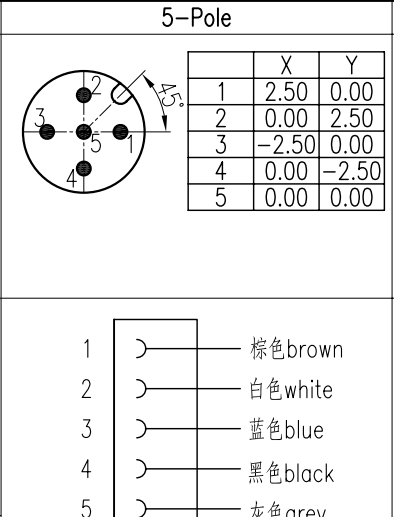
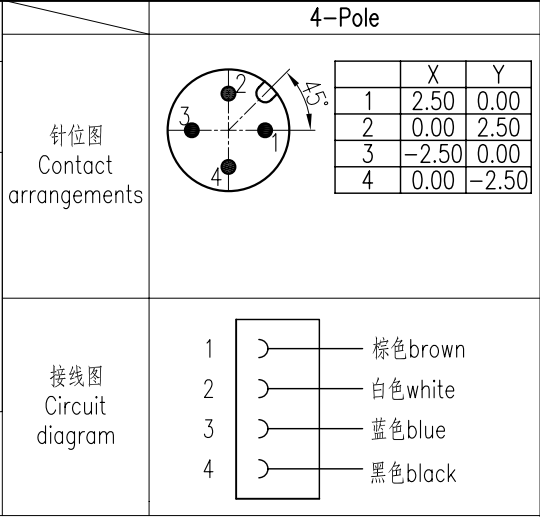
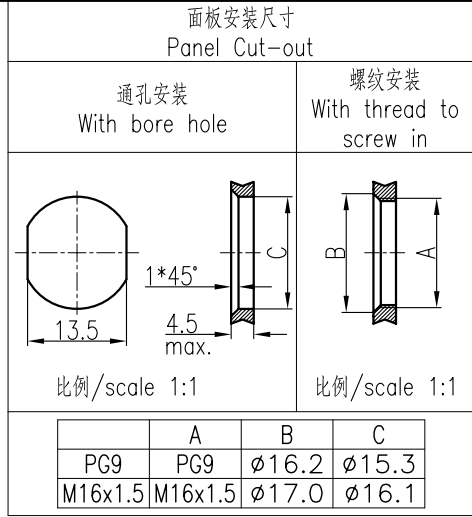


技术参数:

- 产品系列: M12 A-Code
- 插针数: 4, 5, 8
- 额定电流(40°C): 4A(4\5-pole), 2A(8-pole)
- 额定电压: 250V(4-pole), 125V(5-pole), 60V(8-pole)
- 额定脉冲电压: 2500V(4-pole), 1500V(5-pole), 800V(8-pole)
- 污染等级: 3
- 接触电阻: <10mΩ
- 绝缘电阻: ≥100MΩ
- 锁紧方式: 螺纹式M12*1
- 连接方式: 预接导线0.25mm² (AWG24)
- 防护等级: IP67
- 插拔次数: ≥100
- 温度范围: -40°C ... +85°C
- 外壳材料: 铸锌镍银
- 插体材料: PA
- 插针材料: 铜合金
- 插针电镀材料: 金

Technical specification:

- Series: M12 A-Code
- Number of contacts: 4, 5, 8
- Rated current (40°C): 4A(4\5-pole), 2A(8-pole)
- Rated voltage: 250V(4-pole), 125V(5-pole), 60V(8-pole)
- Rated impulse voltage: 2500V(4-pole), 1500V(5-pole), 800V(8-pole)
- Pollution degree: 3
- Contact resistance: <10mΩ
- Insulation resistance: ≥100MΩ
- Connector locking system: screw M12*1
- Terminal: single-strand wires 0.25mm²(AWG24)
- Degree of protection: IP67
- Mating cycles: ≥100
- Temperature range: -40°C ... +85°C
- Material of housing: Zinc diecasting nickel plated
- Material of insert: PA
- Material of contact: copper alloy
- Contact plating: Au



带线长度L=0.2m, 如需其它长度在型号后+“-1.0”、“-2.0”
Cable length L=0.2m, For other lengths please add “-1.0”、“-2.0”after the type

| 插针数 Contacts | 产品料号 Cable outlet | 型号 Part Code | 重量 Weight |
|-----------------|----------------------|-----------------------|--------------|
| 4 | 1630043014001 | M12-M04A-BK-PG9-W0.25 | 14.1 g |
| | 1630043014021 | M12-M04A-BK-M16-W0.25 | 14.4 g |
| 5 | 1630053014001 | M12-M05A-BK-PG9-W0.25 | 14.1 g |
| | 1630053014021 | M12-M05A-BK-M16-W0.25 | 14.4 g |
| 8 | 1630083014001 | M12-M08A-BK-PG9-W0.25 | 17.7 g |
| | 1630083014021 | M12-M08A-BK-M16-W0.25 | 18.0 g |

| | | | |
|----------------|--------------|---|---------------------|
| 表面处理 Finish | - | 图号 Drawing No. | - |
| 材料 Material | - | 产品代号 Part Code | M12-MXX-BK-XX-W0.25 |
| 比例 Scale | 2:1 | 产品料号 Part No. | - |
| 版本 REV. | V1.0 | 产品名称 Part Name | - |
| 重量 Weight | - | 厦门唯恩电气有限公司 XIAMEN WAIN ELECTRICAL CO.LTD | |
| 数量 Qty. | - | | |
| 标记 Mark | 处数 Number | 变更描述/Description | 签名 Signature |
| 日期 Date | 姓名/Name | 日期/Date | 姓名/Name |
| 日期/Date | 姓名/Name | 日期/Date | 姓名/Name |
| 批准 Approved | YY LUO | 13.01.2014 | 13.01.2014 |