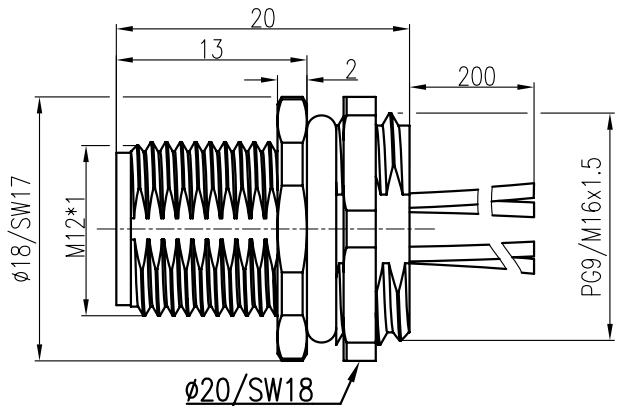
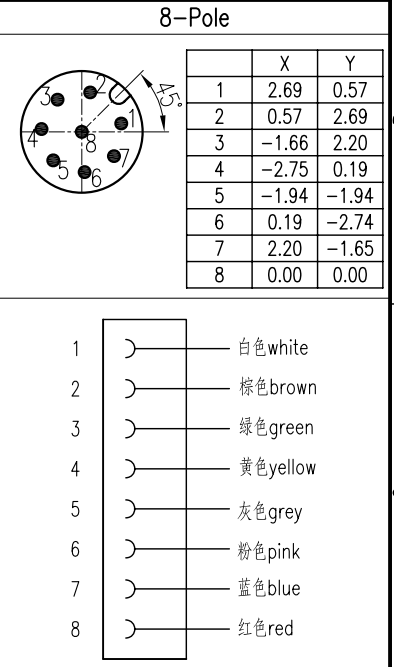
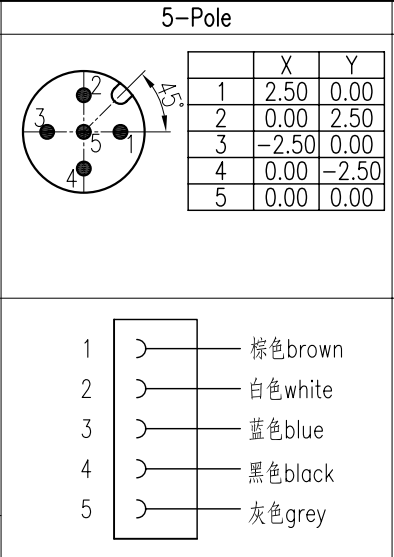
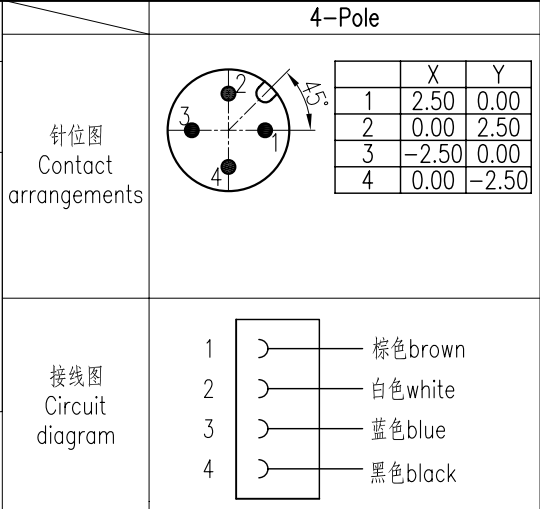
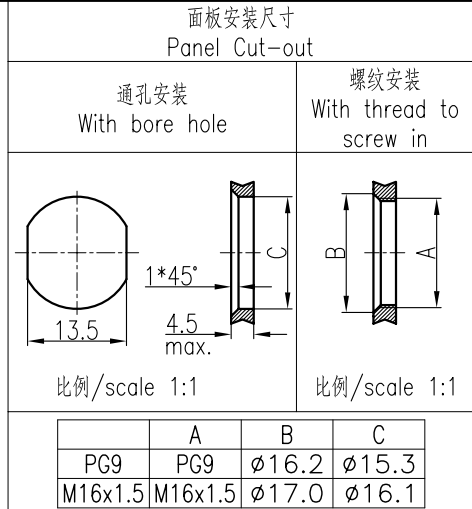


技术参数:
 - 产品系列: M12 A-Code
 - 插针数: 4, 5, 8
 - 额定电流(40°C): 4A(4\5-pole), 2A(8-pole)
 - 额定电压: 250V(4-pole), 125V(5-pole), 60V(8-pole)
 - 额定脉冲电压: 2500V(4-pole), 1500V(5-pole), 800V(8-pole)
 - 污染等级: 3
 - 接触电阻: <10mΩ
 - 绝缘电阻: ≥100MΩ
 - 锁紧方式: 螺纹式M12*1
 - 连接方式: 预接导线0.25mm² (AWG24)
 - 防护等级: IP67
 - 插拔次数: ≥100
 - 温度范围: -40°C ... +85°C
 - 外壳材料: 铸锌镍
 - 插体材料: PA
 - 插针材料: 铜合金
 - 插针电镀材料: 金
 Technical specification:
 - Series: M12 A-Code
 - Number of contacts: 4, 5, 8
 - Rated current (40°C): 4A(4\5-pole), 2A(8-pole)
 - Rated voltage: 250V(4-pole), 125V(5-pole), 60V(8-pole)
 - Rated impulse voltage: 2500V(4-pole), 1500V(5-pole), 800V(8-pole)
 - Pollution degree: 3
 - Contact resistance: <10mΩ
 - Insulation resistance: ≥100MΩ
 - Connector locking system: screw M12*1
 - Terminal: single-strand wires 0.25mm²(AWG24)
 - Degree of protection: IP67
 - Mating cycles: ≥100
 - Temperature range: -40°C ... +85°C
 - Material of housing: Zinc diecasting nickel plated
 - Material of insert: PA
 - Material of contact: copper alloy
 - Contact plating: Au



带线长度L=0.2m, 如需其它长度在型号后+“-1.0”、“-2.0”
 Cable length L=0.2m, For other lengths please add “-1.0”、“-2.0”after the type

插针数 Contacts	产品料号 Cable outlet	型号 Part Code	重量 Weight
4	1630043014001	M12-M04A-BK-PG9-W0.25	14.1 g
	1630043014021	M12-M04A-BK-M16-W0.25	14.4 g
5	1630053014001	M12-M05A-BK-PG9-W0.25	14.1 g
	1630053014021	M12-M05A-BK-M16-W0.25	14.4 g
8	1630083014001	M12-M08A-BK-PG9-W0.25	17.7 g
	1630083014021	M12-M08A-BK-M16-W0.25	18.0 g

				表面处理 Finish	-	图号 Drawing No.		-
				材料 Material	-	产品代号 Part Code		M12-MXX-BK-XX-W0.25
						产品料号 Part No.		-
标记 Mark	处数 Number	变更描述/Description		签名 Signature	日期 Date	比例 Scale		版本 REV.
绘图 Drawn	HQ ZHANG	姓名/Name	日期/Date	姓名/Name	日期/Date	重量 Weight	数量 Qty.	产品名称 Part Name
审核 Checked	ZM LIN	姓名/Name	日期/Date	姓名/Name	日期/Date	-	-	-
工艺 Process	-	批准 Approved	YY LUO	日期/Date	13.01.2014	All Dimensions in mm Original Size DIN A 4		厦门唯恩电气有限公司 XIAMEN WAIN ELECTRICAL CO.LTD