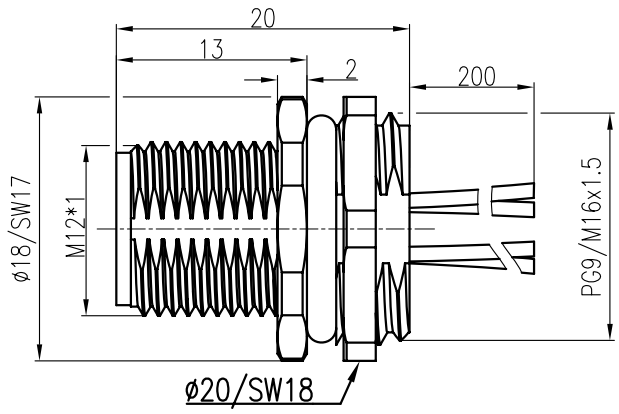
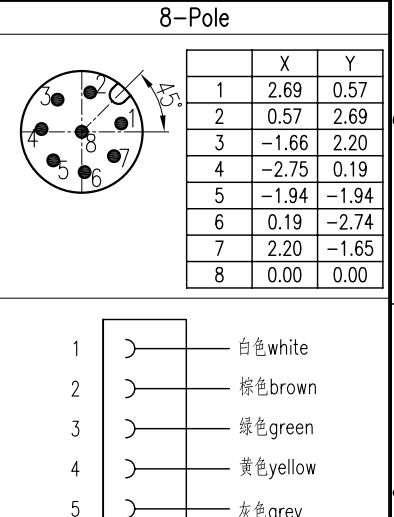
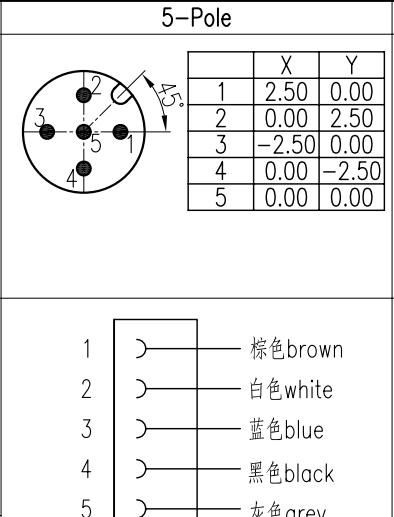
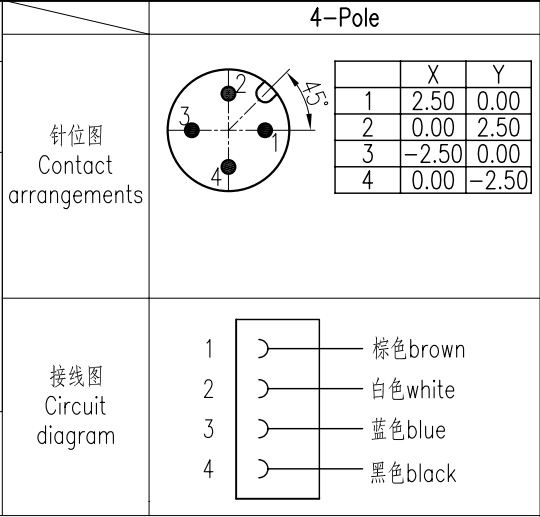
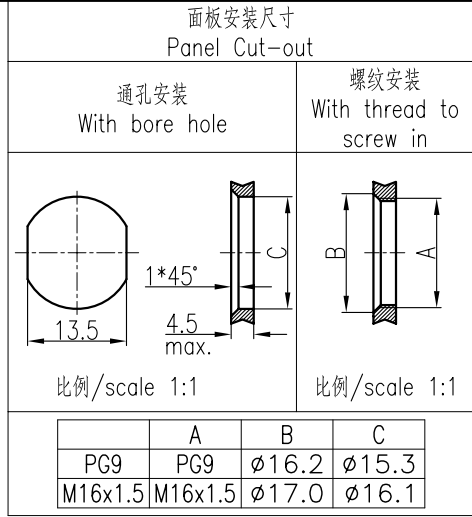


技术参数:  
 - 产品系列: M12 A-Code  
 - 插针数: 4, 5, 8  
 - 额定电流(40°C): 4A(4\5-pole), 2A(8-pole)  
 - 额定电压: 250V(4-pole), 125V(5-pole), 60V(8-pole)  
 - 额定脉冲电压: 2500V(4-pole), 1500V(5-pole), 800V(8-pole)  
 - 污染等级: 3  
 - 接触电阻: <10mΩ  
 - 绝缘电阻: ≥100MΩ  
 - 锁紧方式: 螺纹式M12\*1  
 - 连接方式: 预接导线0.25mm<sup>2</sup> (AWG24)

防护等级: IP67  
 - 插拔次数: ≥100  
 - 温度范围: -40°C ... +85°C  
 - 外壳材料: 铸锌镀镍  
 - 插体材料: PA  
 - 插针材料: 铜合金  
 - 插针电镀材料: 金  
 Technical specification:  
 - Series: M12 A-Code  
 - Number of contacts: 4, 5, 8  
 - Rated current (40°C): 4A(4\5-pole), 2A(8-pole)  
 - Rated voltage: 250V(4-pole), 125V(5-pole), 60V(8-pole)  
 - Rated impulse voltage: 2500V(4-pole), 1500V(5-pole), 800V(8-pole)

- Pollution degree: 3  
 - Contact resistance: <10mΩ  
 - Insulation resistance: ≥100MΩ  
 - Connector locking system: screw M12\*1  
 - Terminal: single-strand wires 0.25mm<sup>2</sup>(AWG24)  
 - Degree of protection: IP67  
 - Mating cycles: ≥100  
 - Temperature range: -40°C ... +85°C  
 - Material of housing: Zinc diecasting nickel plated  
 - Material of insert: PA  
 - Material of contact: copper alloy  
 - Contact plating: Au



带线长度L=0.2m, 如需其它长度在型号后+“-1.0”、“-2.0”  
 Cable length L=0.2m, For other lengths please add “-1.0”、“-2.0”after the type

插针数 Contacts	产品料号 Cable outlet	型号 Part Code	重量 Weight
4	1630043014001	M12-M04A-BK-PG9-W0.25	14.1 g
	1630043014021	M12-M04A-BK-M16-W0.25	14.4 g
5	1630053014001	M12-M05A-BK-PG9-W0.25	14.1 g
	1630053014021	M12-M05A-BK-M16-W0.25	14.4 g
8	1630083014001	M12-M08A-BK-PG9-W0.25	17.7 g
	1630083014021	M12-M08A-BK-M16-W0.25	18.0 g

				表面处理 Finish		-		图号 Drawing No.		-	
				材料 Material		-		产品代号 Part Code		M12-MXX-BK-XX-W0.25	
标记 Mark		处数 Number		变更描述/Description		签名 Signature		日期 Date		产品料号 Part No.	
										-	
绘图 Drawn		姓名/Name		日期/Date		姓名/Name		日期/Date		产品名称 Part Name	
审核 Checked		HQ ZHANG		13.01.2014		-		-		-	
工艺 Process		-		-		批准 Approved		YY LUO 13.01.2014		-	
										All Dimensions in mm Original Size DIN A 4	
										厦门唯恩电气有限公司 XIAMEN WAIN ELECTRICAL CO.LTD	