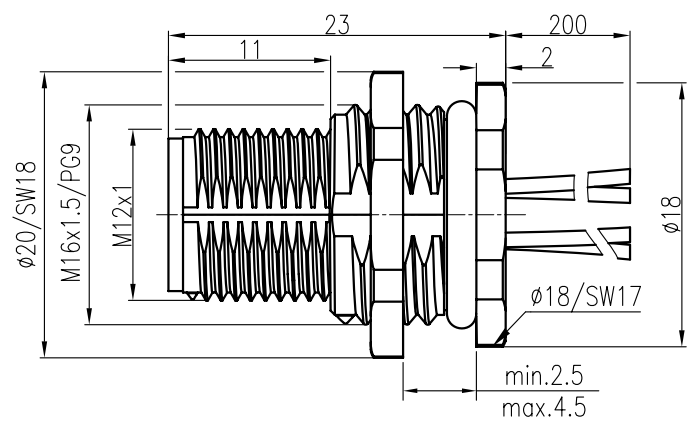
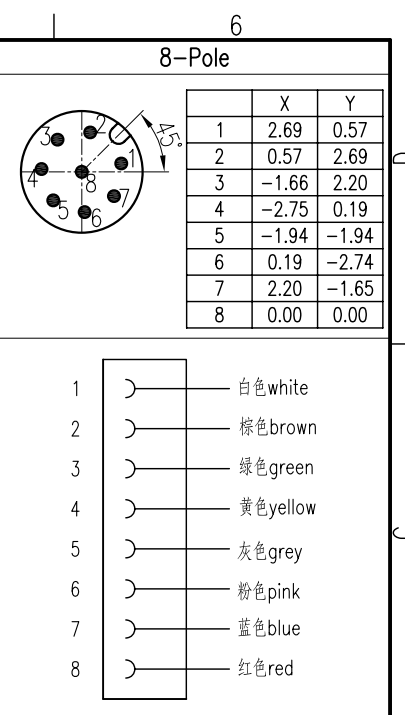
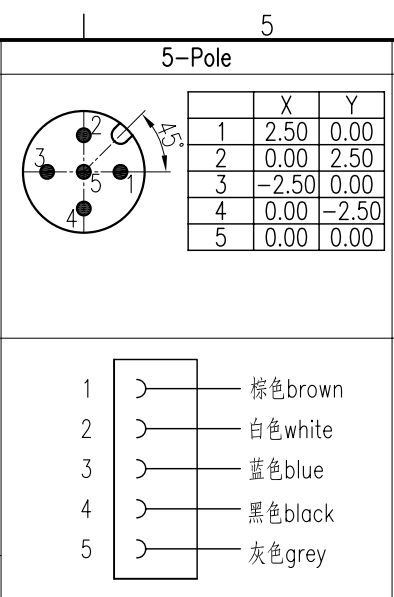
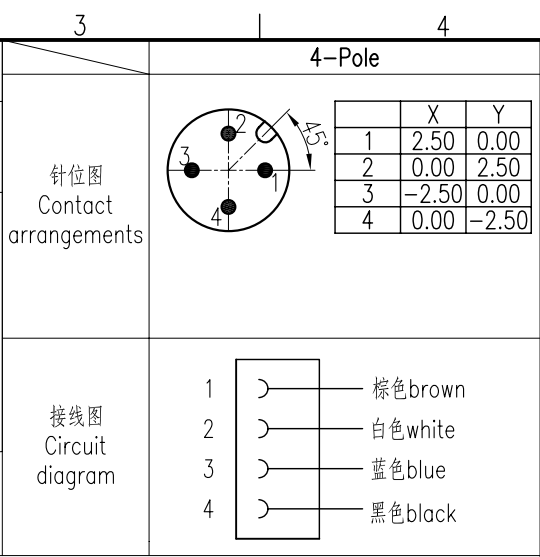
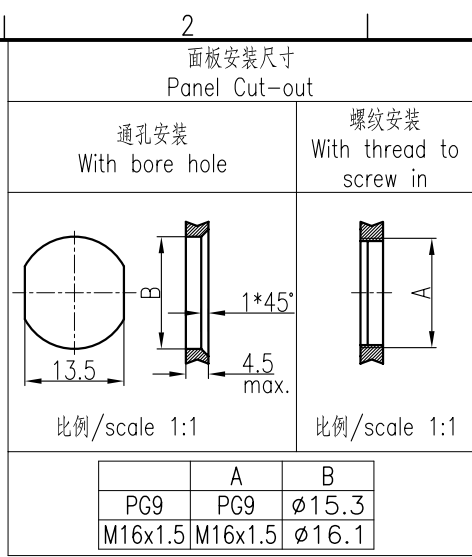


日期/Date	制图员 Filing Clerk
---------	---------------------

技术参数:  
- 产品系列: M12 A-Code  
- 插针数: 4, 5, 8  
- 额定电流(40°C): 4A(4\5-pole), 2A(8-pole)  
- 额定电压: 250V(4-pole), 125V(5-pole), 60V(8-pole)  
- 额定脉冲电压: 2500V(4-pole), 1500V(5-pole), 800V(8-pole)  
- 污染等级: 3  
- 接触电阻: <math>\leq 10m\Omega</math>  
- 绝缘电阻: >math>\geq 100M\Omega</math>  
- 锁紧方式: 螺纹式M12\*1  
- 连接方式: 预接导线0.25mm<sup>2</sup> (AWG24)  
- 防护等级: IP67  
- 插拔次数: >math>\geq 100</math>  
- 温度范围: -40°C ... +85°C  
- 外壳材料: 铸锌镀镍  
- 插体材料: PA  
- 插针材料: 铜合金  
- 插针电镀材料: 金

Technical specification:  
- Series: M12 A-Code  
- Number of contacts: 4, 5, 8  
- Rated current (40°C): 4A(4\5-pole), 2A(8-pole)  
- Rated voltage: 250V(4-pole), 125V(5-pole), 60V(8-pole)  
- Rated impulse voltage: 2500V(4-pole), 1500V(5-pole), 800V(8-pole)  
- Pollution degree: 3  
- Contact resistance: <math>\leq 10m\Omega</math>  
- Insulation resistance: >math>\geq 100M\Omega</math>  
- Connector locking system: screw M12\*1  
- Terminal: dip single-strand wires 0.25mm<sup>2</sup>(AWG24)  
- Degree of protection: IP67  
- Mating cycles: >math>\geq 100</math>  
- Temperature range: -40°C ... +85°C  
- Material of housing: Zinc diecasting nickel plated  
- Material of insert: PA  
- Material of contact: copper alloy  
- Contact plating: Au



带线长度L=0.2m, 如需其它长度在型号后+“-1.0”、“-2.0”  
Cable length L=0.2m, For other lengths please add “-1.0”、“-2.0”after the type

插针数 Contacts	产品料号 Cable outlet	型号 Part Code	重量 Weight
4	1630043014011	M12-M04A-BKR-PG9-W0.25	15.6 g
	1630043014031	M12-M04A-BKR-M16-W0.25	15.6 g
5	1630053014011	M12-M05A-BKR-PG9-W0.25	16.6 g
	1630053014031	M12-M05A-BKR-M16-W0.25	16.6 g
8	1630083014011	M12-M08A-BKR-PG9-W0.25	19.2 g
	1630083014031	M12-M08A-BKR-M16-W0.25	19.2 g

				表面处理 Finish	-	图号 Drawing No.		-								
				材料 Material	-	产品代号 Part Code		M12-MXX-BKR-XX-W0.25								
标记 Mark	处数 Number	变更描述/Description				签名 Signature	日期 Date	产品料号 Part No.		-						
绘图 Drawn	HQ ZHANG	日期/Date	21.04.2014	姓名/Name	-	比例 Scale	2:1	版本 REV.	V1.0	重量 Weight	-	数量 Qty.	-	产品名称 Part Name		-
审核 Checked	ZM LIN	日期/Date	21.04.2014	姓名/Name	-											
工艺 Process	-	日期/Date	-	批准 Approved	YY LUO	日期/Date	21.04.2014	All Dimensions in mm Original Size DIN A 4		厦门唯恩电气有限公司 XIAMEN WAIN ELECTRICAL CO.LTD						