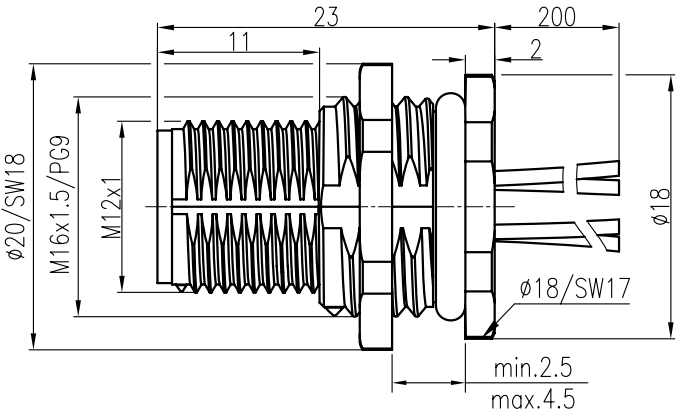
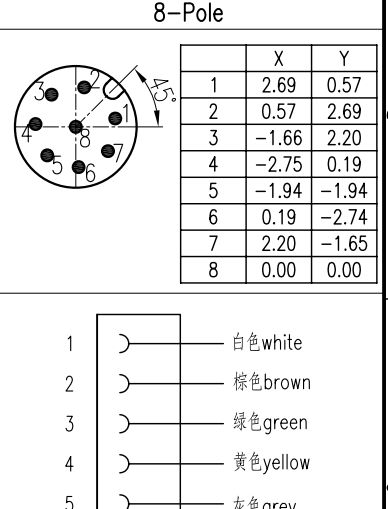
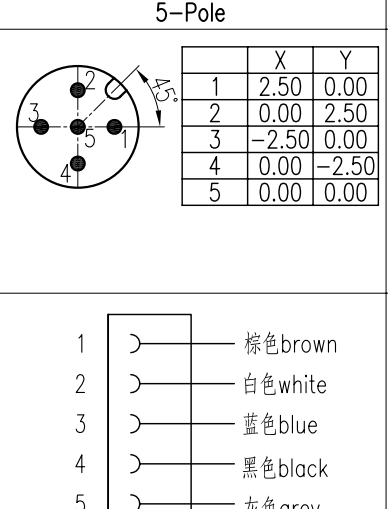
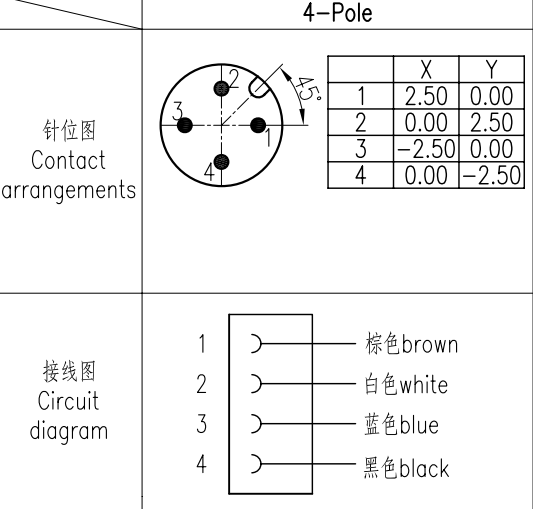
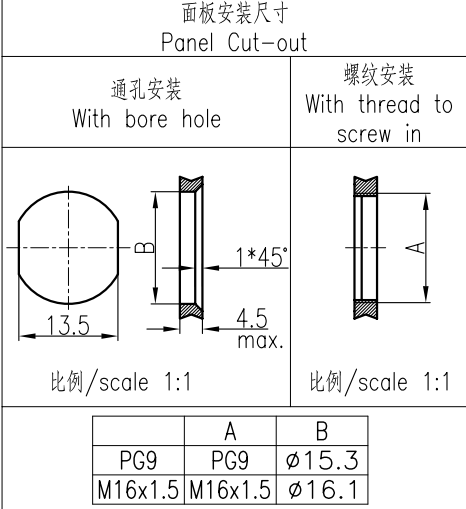


技术参数:  
 - 产品系列: M12 A-Code  
 - 插针数: 4, 5, 8  
 - 额定电流(40°C): 4A(4\5-pole), 2A(8-pole)  
 - 额定电压: 250V(4-pole), 125V(5-pole), 60V(8-pole)  
 - 额定脉冲电压: 2500V(4-pole), 1500V(5-pole), 800V(8-pole)  
 - 污染等级: 3  
 - 接触电阻: <10mΩ  
 - 绝缘电阻: ≥100MΩ  
 - 锁紧方式: 螺纹式M12\*1  
 - 连接方式: 预接导线0.25mm<sup>2</sup> (AWG24)

- 防护等级: IP67  
 - 插拔次数: >100  
 - 温度范围: -40°C ... +85°C  
 - 外壳材料: 铸锌镍银  
 - 插体材料: PA  
 - 插针材料: 铜合金  
 - 插针电镀材料: 金

Technical specification:  
 - Series: M12 A-Code  
 - Number of contacts: 4, 5, 8  
 - Rated current (40°C): 4A(4\5-pole), 2A(8-pole)  
 - Rated voltage: 250V(4-pole), 125V(5-pole), 60V(8-pole)  
 - Rated impulse voltage: 2500V(4-pole), 1500V(5-pole), 800V(8-pole)

- Pollution degree: 3  
 - Contact resistance: <10mΩ  
 - Insulation resistance: ≥100MΩ  
 - Connector locking system: screw M12\*1  
 - Terminal: dip single-strand wires 0.25mm<sup>2</sup>(AWG24)  
 - Degree of protection: IP67  
 - Mating cycles: >100  
 - Temperature range: -40°C ... +85°C  
 - Material of housing: Zinc diecasting nickel plated  
 - Material of insert: PA  
 - Material of contact: copper alloy  
 - Contact plating: Au



带线长度L=0.2m, 如需其它长度在型号后+“-1.0”、“-2.0”  
 Cable length L=0.2m, For other lengths please add “-1.0”、“-2.0”after the type

插针数 Contacts	产品料号 Cable outlet	型号 Part Code	重量 Weight
4	1630043014011	M12-M04A-BKR-PG9-W0.25	15.6 g
	1630043014031	M12-M04A-BKR-M16-W0.25	15.6 g
5	1630053014011	M12-M05A-BKR-PG9-W0.25	16.6 g
	1630053014031	M12-M05A-BKR-M16-W0.25	16.6 g
8	1630083014011	M12-M08A-BKR-PG9-W0.25	19.2 g
	1630083014031	M12-M08A-BKR-M16-W0.25	19.2 g

				表面处理 Finish	-				图号 Drawing No.	-			
				材料 Material	-				产品代号 Part Code	M12-MXX-BKR-XX-W0.25			
标记 Mark	处数 Number	变更描述/Description		签名 Signature	日期 Date				产品料号 Part No.	-			
绘图 Drawn	姓名/Name	日期/Date	标准 Stand.	姓名/Name	日期/Date	比例 Scale	版本 REV.	重量 Weight	数量 Qty.	产品名称 Part Name	-		
审核 Checked	ZM LIN	21.04.2014				2:1	V1.0	-	-				
工艺 Process	-	-	批准 Approved	YY LUO	21.04.2014	All Dimensions in mm Original Size DIN A 4		厦门唯恩电气有限公司 XIAMEN WAIN ELECTRICAL CO.LTD					