

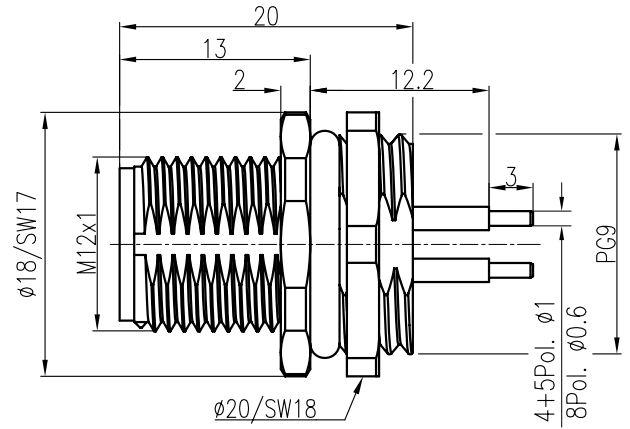
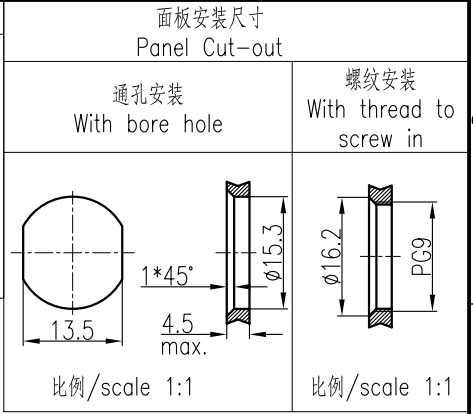
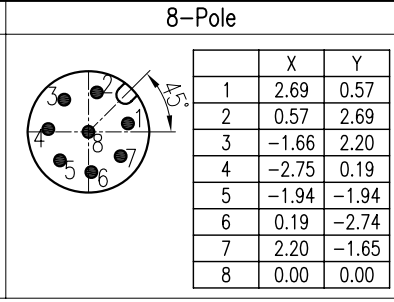
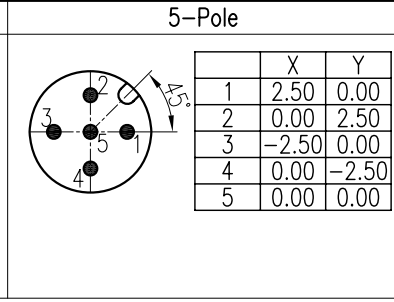
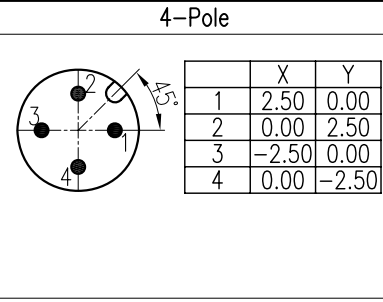
技术参数:
 - 产品系列: M12 A-Code
 - 插针数: 4、5、8
 - 额定电流(40℃): 4A(4/5-pole),
 2A(8-pole)
 - 额定电压: 250V(4-pole),
 125V(5-pole),
 60V(8-pole)
 - 额定脉冲电压: 2500V(4-pole),
 1500V(5-pole),
 800V(8-pole)

- 污染等级: 3
 - 接触电阻: $\leq 10m\Omega$
 - 绝缘电阻: $\geq 100M\Omega$
 - 锁紧方式: 螺纹式M12*1
 - 连接方式: 浸焊
 - 防护等级: IP67
 - 插拔次数: ≥ 100
 - 温度范围: $-40^{\circ}C \dots +85^{\circ}C$
 - 外壳材料: 铸锌镀镍
 - 插体材料: PA
 - 插针材料: 铜合金
 - 插针电镀材料: 金

Technical specification:
 - Series: M12 A-Code
 - Number of contacts: 4, 5, 8
 - Rated current (40℃): 4A(4/5-pole),
 2A(8-pole)
 - Rated voltage: 250V(4-pole),
 125V(5-pole),
 60V(8-pole)
 - Rated impulse voltage: 2500V(4-pole),
 1500V(5-pole),
 800V(8-pole)

- Pollution degree: 3
 - Contact resistance: $\leq 10m\Omega$
 - Insulation resistance: $\geq 100M\Omega$
 - Connector locking system: screw M12*1
 - Terminal: dip solder
 - Degree of protection: IP67
 - Mating cycles: ≥ 100
 - Temperature range: $-40^{\circ}C \dots +85^{\circ}C$
 - Material of housing: Zinc diecasting nickel plated
 - Material of insert: PA
 - Material of contact: copper alloy
 - Contact plating: Au

针位图
Contact arrangements



插针数 Contacts	产品料号 Cable outlet	型号 Part Code	重量 Weight
4	1630043141001	M12-M04A-BK-PG9-D	11.3 g
5	1630053141001	M12-M05A-BK-PG9-D	11.5 g
8	1630083141001	M12-M08A-BK-PG9-D	12.1 g

标记 Mark	处数 Number	变更描述/Description	姓名/Name	日期/Date	表面处理 Finish	材料 Material	图号 Drawing No.
绘图 Drawn	HQ ZHANG	13.01.2014	标准化 Stand.	-	-	-	-
审核 Checked	ZM LIN	13.01.2014	-	-	-	-	产品代号 Part Code M12-MXX-BK-PG9-D
工艺 Process	-	-	批准 Approved	YY LUO	13.01.2014	比例 Scale 2:1	版本 REV. V1.0
						重量 Weight -	数量 Qty. -
						All Dimensions in mm Original Size DIN A 4	
						厦门唯恩电气有限公司 XIAMEN WAIN ELECTRICAL CO.LTD	