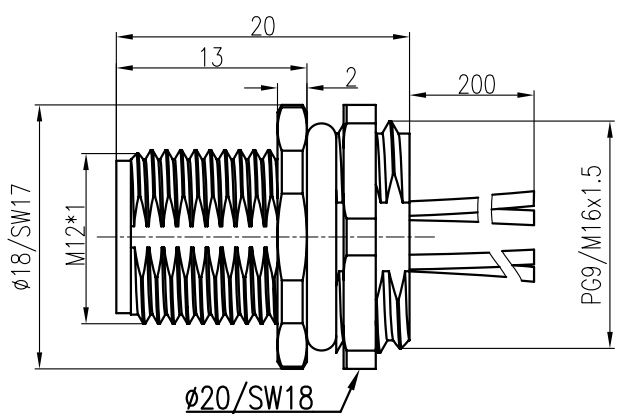
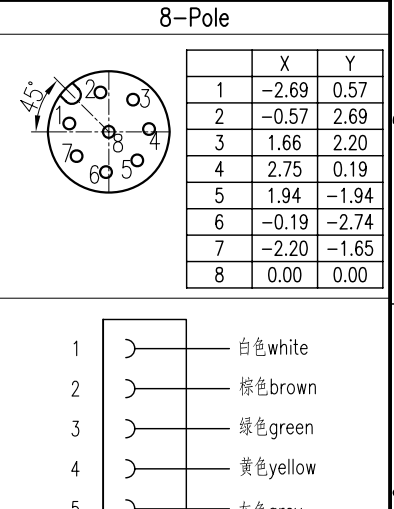
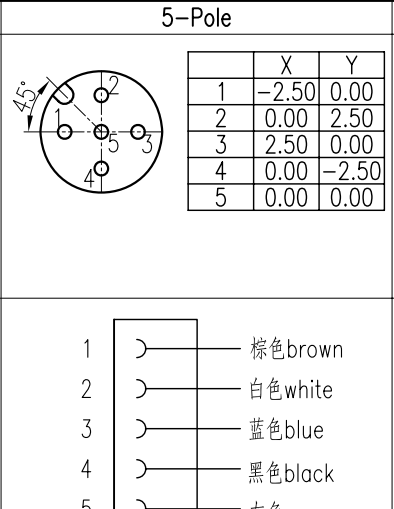
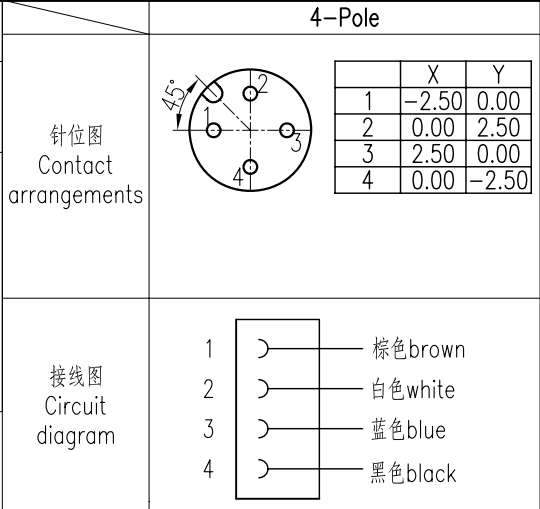
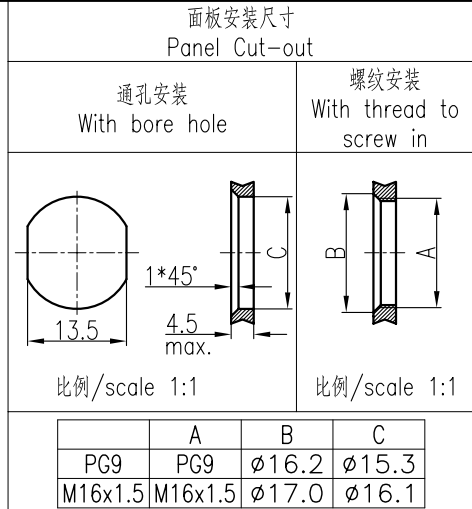


技术参数:
 - 产品系列: M12 A-Code
 - 插针数: 4, 5, 8
 - 额定电流(40°C): 4A(4\5-pole), 2A(8-pole)
 - 额定电压: 250V(4-pole), 125V(5-pole), 60V(8-pole)
 - 额定脉冲电压: 2500V(4-pole), 1500V(5-pole), 800V(8-pole)
 - 污染等级: 3
 - 接触电阻: <10mΩ
 - 绝缘电阻: >100MΩ
 - 锁紧方式: 螺纹式M12*1
 - 连接方式: 预接导线0.25mm² (AWG24)

- 防护等级: IP67
 - 插拔次数: >100
 - 温度范围: -40°C ... +85°C
 - 外壳材料: 铸锌镍
 - 插体材料: PA
 - 插针材料: 铜合金
 - 插针电镀材料: 金

Technical specification:
 - Series: M12 A-Code
 - Number of contacts: 4, 5, 8
 - Rated current (40°C): 4A(4\5-pole), 2A(8-pole)
 - Rated voltage: 250V(4-pole), 125V(5-pole), 60V(8-pole)
 - Rated impulse voltage: 2500V(4-pole), 1500V(5-pole), 800V(8-pole)

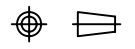
- Pollution degree: 3
 - Contact resistance: <10mΩ
 - Insulation resistance: >100MΩ
 - Connector locking system: screw M12*1
 - Terminal: single-strand wires 0.25mm²(AWG24)
 - Degree of protection: IP67
 - Mating cycles: >100
 - Temperature range: -40°C ... +85°C
 - Material of housing: Zinc diecasting nickel plated
 - Material of insert: PA
 - Material of contact: copper alloy
 - Contact plating: Au



带线长度L=0.2m, 如需其它长度在型号后+“-1.0”、“-2.0”
 Cable length L=0.2m, For other lengths please add “-1.0”、“-2.0”after the type

插针数 Contacts	产品料号 Cable outlet	型号 Part Code	重量 Weight
4	1630043024001	M12-F04A-BK-PG9-W0.25	15.2 g
	1630043024021	M12-F04A-BK-M16-W0.25	15.5 g
5	1630053024001	M12-F05A-BK-PG9-W0.25	16.4 g
	1630053024021	M12-F05A-BK-M16-W0.25	16.7 g
8	1630083024001	M12-F08A-BK-PG9-W0.25	19.4 g
	1630083024021	M12-F08A-BK-M16-W0.25	19.7 g

表面处理 Finish	-	图号 Drawing No.	-
材料 Material	-	产品代号 Part Code	M12-FXX-BK-XX-W0.25
比例 Scale	2:1	产品料号 Part No.	-
版本 REV.	V1.0	产品名称 Part Name	-
重量 Weight	-	厦门唯恩电气有限公司 XIAMEN WAIN ELECTRICAL CO.LTD	
数量 Qty.	-		
标记 Mark	处数 Number	变更描述/Description	签名 Signature
日期 Date	姓名/Name	日期/Date	姓名/Name
日期/Date	姓名/Name	日期/Date	姓名/Name
绘图 Drawn	HQ ZHANG	15.02.2014	标准化 Stand.
审核 Checked	ZM LIN	15.02.2014	
工艺 Process	-	-	批准 Approved
			YY LUO
			15.02.2014



All Dimensions in mm
Original Size DIN A 4

