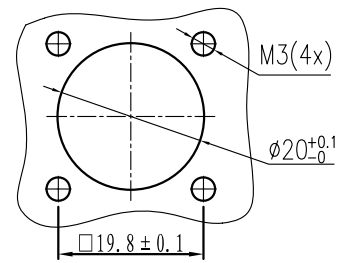
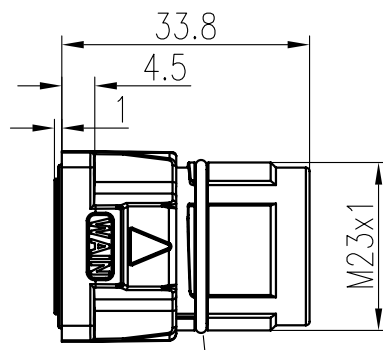
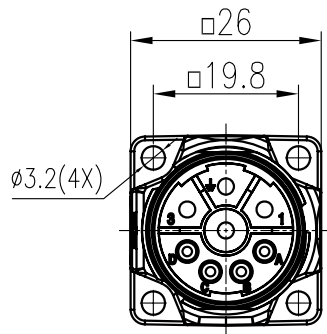


|         |                     |
|---------|---------------------|
| 日期/Date | 档案员<br>Filing Clerk |
|---------|---------------------|

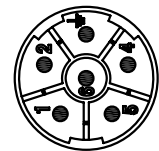
|                 |                      |                 |              |
|-----------------|----------------------|-----------------|--------------|
| 插针数<br>Contacts | 产品料号<br>Cable outlet | 型号<br>Part Code | 重量<br>Weight |
| 6(5+PE)         | 1660063101001        | M23-MC06-BK26   | 37 g         |
| 8(4+3+PE)       | 1660083101001        | M23-MC04/4-BK26 | 36 g         |



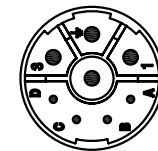
面板开孔图  
Panel cut out



防松圈  
Vibration protection



6(5+PE)



8(4+3+PE)

针位排布图  
Contact arrangement

技术参数:

|                             |               |                |               |               |
|-----------------------------|---------------|----------------|---------------|---------------|
| 产品系列: M23                   | 6(5+PE)       | 4              | 8(4+3+PE)     | 3+PE          |
| 插针数:                        | 5+PE          | 4              | 3+PE          | 3+PE          |
| 插针分布:                       | 5+PE          | 4              | 3+PE          | 3+PE          |
| 插针直径(mm):                   | ø2            | ø1             | ø2            | ø2            |
| 接线范围(mm <sup>2</sup> /AWG): | 0.1-4.0/28-12 | 0.03-1.0/32-18 | 0.1-4.0/28-12 | 0.1-4.0/28-12 |
| 接线方式: 冷压连接                  |               |                |               |               |
| 额定电流(25°C):                 | 30A           | 9A             | 30A           | 30A           |
| 额定电压:                       | 630V          | 250V           | 630V          | 630V          |
| 额定脉冲电压:                     | 6KV           | 4KV            | 6KV           | 6KV           |
| 过电压保护等级: III                |               |                |               |               |
| 污染等级: 3                     |               |                |               |               |
| 插针需单独订购.                    |               |                |               |               |

机械参数:

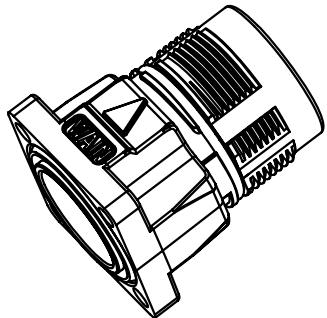
- 外壳材质: 锌合金
- 外壳表面处理: 镀镍
- 插芯材质: 聚酰胺
- 密封材质: 氟橡胶
- 温度范围: -20°C...+130°C
- 插拔次数: >500
- 防护等级: IP67

Technical specification:

|                                   |               |                |               |               |
|-----------------------------------|---------------|----------------|---------------|---------------|
| Series: M23                       | 6(5+PE)       | 4              | 8(4+3+PE)     | 3+PE          |
| Number of contacts:               | 5+PE          | 4              | 3+PE          | 3+PE          |
| Contact arrangement:              | 5+PE          | 4              | 3+PE          | 3+PE          |
| Contact diameter(mm):             | ø2            | ø1             | ø2            | ø2            |
| Wire gauge(mm <sup>2</sup> /AWG): | 0.1-4.0/28-12 | 0.03-1.0/32-18 | 0.1-4.0/28-12 | 0.1-4.0/28-12 |
| Terminal:Crimp                    |               |                |               |               |
| Rated current(25°C):              | 30A           | 9A             | 30A           | 30A           |
| Rated voltage:                    | 630V          | 250V           | 630V          | 630V          |
| Rated impulse voltage:            | 6KV           | 4KV            | 6KV           | 6KV           |
| Overvoltage category: III         |               |                |               |               |
| Pollution degree: 3               |               |                |               |               |

Mechanical specification:

- Material of housing: Zinc(GD-Zn)
- Finish of housing: Nickel-plated
- Material of Insert: Polyamide
- Material of sealing: FPM
- Temperature range: -20°C...+130°C
- Mating cycles: >500
- Degree of protection: IP67
- Contact need to be ordered separately.



|                |              |                  |                |               |   |               |         |   |         |            |
|----------------|--------------|------------------|----------------|---------------|---|---------------|---------|---|---------|------------|
| 表面处理<br>Finish | -            |                  |                |               | 图号<br>Drawing No.                             | -             |         |   |         |            |
| 材料<br>Material | -            |                  |                |               | 产品代号<br>Part Code                             | M23-MCXX-BK26 |         |   |         |            |
| 比例<br>Scale    | 1:1          | 版本<br>REV.       | V1.0           | 重量<br>Weight  | -   | 数量<br>Qty.    | -       | 产品料号<br>Part No.                            | -       |            |
| 工艺<br>Process  | -            | -                | 批准<br>Approved | YY LUO        | 日期/Date                                       | 03.08.2015    | 姓名/Name | YY LUO                                      | 日期/Date | 03.08.2015 |
| 标记<br>Mark     | 处数<br>Number | 变更描述/Description |                |               | 签名<br>Signature                               | 日期<br>Date    |         |   |         |            |
| 绘图<br>Drawn    | HQ ZHANG     | 日期/Date          | 03.08.2015     | 标准化<br>Stand. | -   | -             |         |   |         |            |
| 审核<br>Checked  | ZM LIN       | 日期/Date          | 03.08.2015     |               |   |               |         |   |         |            |
|                |              |                  |                |               | All Dimensions in mm<br>Original Size DIN A 4 |               |         | 厦门唯恩电气有限公司<br>XIAMEN WAIN ELECTRICAL CO.LTD |         |            |