

日期/Date

档案员  
Filing Clerk

1

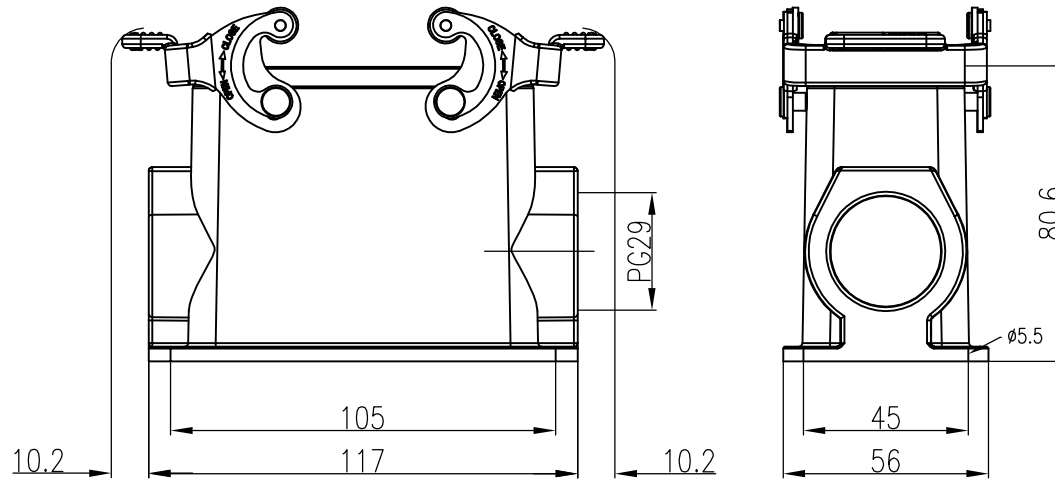
2

3

4

5

6



## 技术参数:

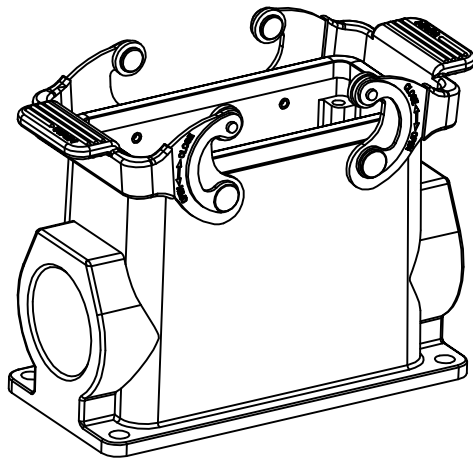
- 材料: 压铸铝
- 表面处理: 粉末喷涂
- 颜色: RAL 7037 (灰色)
- 温度范围:  $-40^{\circ}\text{C}$  -  $+125^{\circ}\text{C}$
- 防护等级: IP65 (联锁状态, IEC 60529)
- 联锁元件:

- 锁扣方式: 金属双扣
- 材料: 不锈钢+软胶

- 密封元件: NBR
- 出线方向: 侧出线
- 出线孔数: 1
- 螺纹规格: PG29

## Technical specification:

- Material: aluminium die-cast
- Surface: powder-coated
- Colour: RAL 7037(grey)
- Temperature range:  $-40^{\circ}\text{C}$  -  $+125^{\circ}\text{C}$
- Degree of protection: IP65  
(acc.to IEC 60529 for coupled connector)
- Locking element:
  - Locking type: double locking latch
  - material: stainless steel+TPR
- Hoods/Housings sealing: NBR
- Cable entry: side entry
- No. of cable entries: 1
- Thread size: PG29



|               |               |                  |                |                 |            |                |            |   |            |   |                         |
|---------------|---------------|------------------|----------------|-----------------|------------|----------------|------------|---|------------|---|-------------------------|
|               |               |                  |                |                 |            | 表面处理<br>Finish | -          |   |            | 图号<br>Drawing No.                           | -                       |
|               |               |                  |                |                 |            | 材料<br>Material | -          |   |            | 产品代号<br>Part Code                           | HV16B-SFH-2L/SC-CV-PG29 |
| 标记<br>Mark    | 处数<br>Number  | 变更描述/Description |                | 签名<br>Signature | 日期<br>Date |                |            |   |            | 产品料号<br>Part No.                            | 1240162415012           |
| 绘图<br>Drawn   | 姓名/Name       | 日期/Date          | 标准化<br>Stand.  | 姓名/Name         | 日期/Date    | 比例<br>Scale    | 版本<br>REV. | 重量<br>Weight                                  | 数量<br>Qty. | 产品名称<br>Part Name                           | -                       |
|               | 审核<br>Checked | P RAO            |                | 18.10.2010      |            |                | 1:2        | V1.0  | 461g       | -   |                         |
| 工艺<br>Process | -             | -                | 批准<br>Approved | YY LIN          | 18.10.2010 |                |            | All Dimensions in mm<br>Original Size DIN A 4 |            | 厦门唯恩电气有限公司<br>XIAMEN WAIN ELECTRICAL CO.LTD |                         |

1

2

3

4

5

6