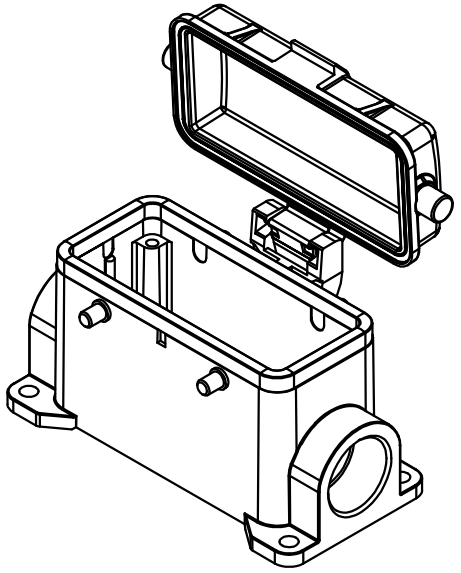
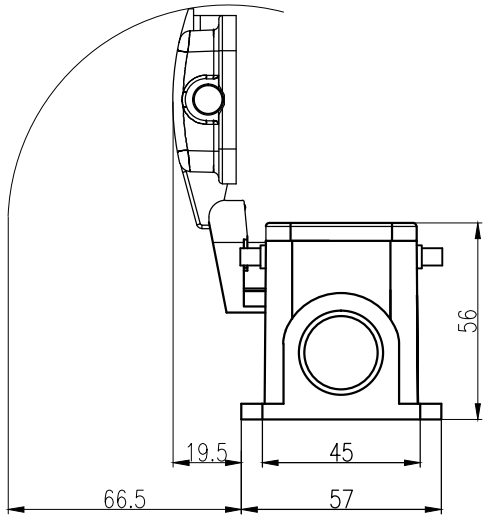
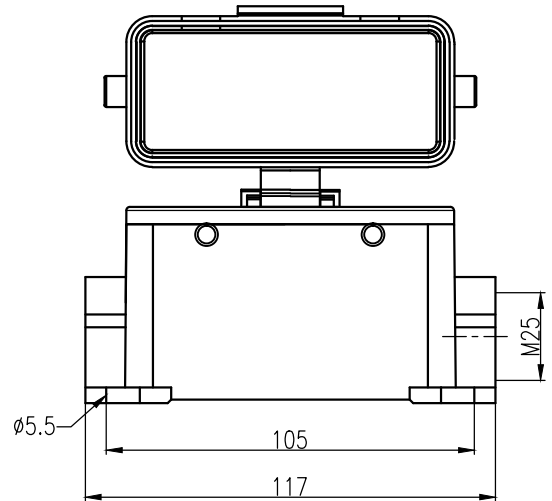


日期/Date  
 检查员  
 Filing Clerk



技术参数:

- 材料: 压铸铝
- 盖子材料: 压铸铝
- 表面处理: 粉末喷涂
- 颜色: RAL 7037 (灰色)
- 温度范围: -40℃ - +125℃
- 防护等级: IP65 (联锁状态, IEC 60529)
- 密封元件: NBR
- 出线方向: 侧出线
- 出线孔数: 1
- 螺纹规格: M25

Technical specification:

- Material: aluminium die-cast
- Material,cover: aluminium die-cast
- Surface: powder-coated
- Colour: RAL 7037(grey)
- Temperature range: -40℃ - +125℃
- Degree of protection: IP65  
(acc.to IEC 60529 for coupled connector)
- Hoods/Housings sealing: NBR
- Cable entry: side entry
- No. of cable entries: 1
- Thread size: M25

|               |              |                  |                |                 |            |                |             |            |   |                   |   |
|---------------|--------------|------------------|----------------|-----------------|------------|----------------|-------------|------------|---|-------------------|---|
|               |              |                  |                |                 |            | 表面处理<br>Finish | -           |            |   | 图号<br>Drawing No. | -   |
|               |              |                  |                |                 |            | 材料<br>Material | -           |            |   | 产品代号<br>Part Code | HV16B-SF-4B-MCV<br>-M25                     |
| 标记<br>Mark    | 处数<br>Number | 变更描述/Description |                | 签名<br>Signature | 日期<br>Date |                | 比例<br>Scale | 版本<br>REV. | 重量<br>Weight                                  | 数量<br>Qty.        | 产品料号<br>Part No.                            |
| 绘图<br>Drawn   | SL CHEN      | 18.10.2010       | 标准化<br>Stand.  | -               | -          | 1:2            |             | V1.0       | 400g  | -                 | 产品名称<br>Part Name                           |
| 审核<br>Checked | P RAO        | 18.10.2010       |                |                 |            |                |             |            |   |                   |   |
| 工艺<br>Process | -            | -                | 批准<br>Approved | YY LIN          | 18.10.2010 |                |             |            | All Dimensions in mm<br>Original Size DIN A 4 |                   | 厦门唯恩电气有限公司<br>XIAMEN WAIN ELECTRICAL CO.LTD |