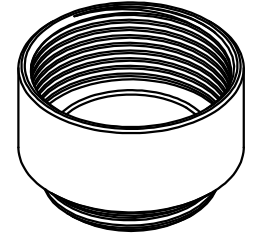
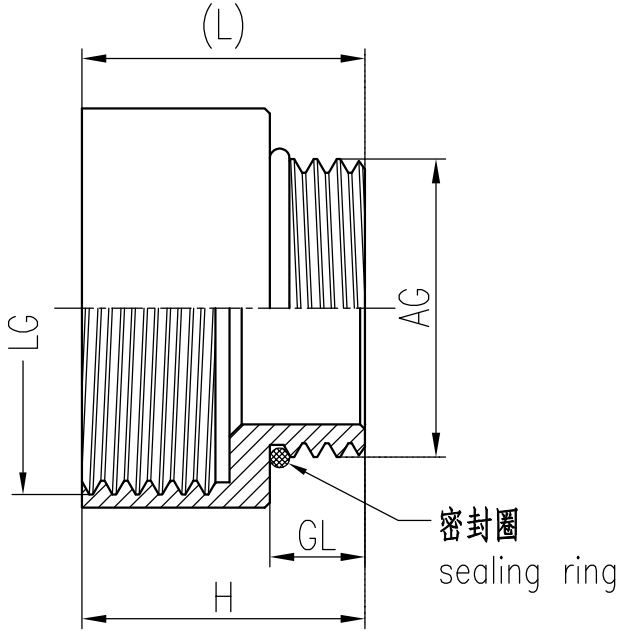


| 日期/Date   | 档案员<br>Filing Clerk | M公制螺纹/Metric Thread |                           |                          |                                  |                     |                |
|-----------|---------------------|---------------------|---------------------------|--------------------------|----------------------------------|---------------------|----------------|
| 序号<br>No. | 产品名称<br>Part code   | 产品料号<br>Part No.    | 外螺纹规格AG<br>Outside Thread | 内螺纹规格LG<br>Inside Thread | 外螺纹长度GL<br>Outside Thread Length | 总长L<br>Total length | 重量/Weight<br>g |
| 1         | WNSC-M12M16R        | 1021030111102       | M12*1.5                   | M16*1.5                  | 5                                | 15                  | 8.2            |
| 2         | WNSC-M16M20R        | 1021030131102       | M16*1.5                   | M20*1.5                  | 6                                | 17.5                | 12.8           |
| 3         | WNSC-M20M25R        | 1021030151102       | M20*1.5                   | M25*1.5                  | 6.5                              | 19                  | 19.4           |
| 4         | WNSC-M25M32R        | 1021030181102       | M25*1.5                   | M32*1.5                  | 7.5                              | 21                  | 26             |
| 5         | WNSC-M32M40R        | 1021030191102       | M32*1.5                   | M40*1.5                  | 7                                | 23                  | 67.4           |
| 6         | WNSC-M40M50R        | 1021030201102       | M40*1.5                   | M50*1.5                  | 9                                | 31                  | 101.6          |
| 7         | WNSC-M50M63R        | 1021030461102       | M50*1.5                   | M63*1.5                  | 9                                | 31                  | 120            |

| 日期/Date   | 档案员<br>Filing Clerk | PG制螺纹/PG Thread  |                           |                          |                                  |                     |                |
|-----------|---------------------|------------------|---------------------------|--------------------------|----------------------------------|---------------------|----------------|
| 序号<br>No. | 产品名称<br>Part code   | 产品料号<br>Part No. | 外螺纹规格AG<br>Outside Thread | 内螺纹规格LG<br>Inside Thread | 外螺纹长度GL<br>Outside Thread Length | 总长L<br>Total length | 重量/Weight<br>g |
| 1         | WNSC-PG7PG9R        | 1021030011102    | PG7                       | PG9                      | 5                                | 15                  | 10.6           |
| 2         | WNSC-PG9PG11R       | 1021030021102    | PG9                       | PG11                     | 6                                | 16.5                | 12             |
| 3         | WNSC-PG11PG13.5R    | 1021030031102    | PG11                      | PG13.5                   | 6                                | 17.5                | 7              |
| 4         | WNSC-PG13.5PG16R    | 1021030041102    | PG13.5                    | PG16                     | 6.5                              | 19                  | 9              |
| 5         | WNSC-PG16PG21R      | 1021030051102    | PG16                      | PG21                     | 6.5                              | 21                  | 18.3           |
| 6         | WNSC-PG21PG29R      | 1021030061102    | PG21                      | PG29                     | 7                                | 23                  | 34.2           |
| 7         | WNSC-PG29PG36R      | 1021030071102    | PG29                      | PG36                     | 8                                | 27.5                | 77.8           |
| 8         | WNSC-PG36PG42R      | 1021030081102    | PG36                      | PG42                     | 9                                | 31                  | 68             |
| 9         | WNSC-PG42PG48R      | 1021030091102    | PG42                      | PG48                     | 10                               | 33                  | 188.7          |



技术参数:  
- 材料:  
· 主体: 黄铜镀镍  
· 密封元件: NBR  
- 温度范围: -40℃-100℃, 短时间可以达到120℃  
- 形状: 圆形  
- 使用场合: 适用于需要将螺纹直径扩大的场合  
- 防护等级: IP68 (在使用O型圈的情况下)

Technical specification:  
- Material:  
· Body: nickel-plated brass  
· Sealing: NBR  
- Temperature range: -40℃-100℃, short-term 120℃  
- Shape: round  
- Applications: apply to the situation of the diameter need to be enlarged  
- Degree of protection: IP68(with O-sealing)

|               |              |                  |                |         |                 |                |            |   |            |   |                   |                  |
|---------------|--------------|------------------|----------------|---------|-----------------|----------------|------------|---|------------|---|-------------------|------------------|
|               |              |                  |                |         |                 | 表面处理<br>Finish | -          |   |            |   | 图号<br>Drawing No. | -                |
|               |              |                  |                |         |                 | 材料<br>Material | -          |   |            |   | 产品代号<br>Part Code | WNSC-XXR         |
| 标记<br>Mark    | 处数<br>Number | 变更描述/Description |                |         | 签名<br>Signature |                | 日期<br>Date |   |            |   |                   | 产品料号<br>Part No. |
|               | 姓名/Name      | 日期/Date          |                | 姓名/Name | 日期/Date         | 比例<br>Scale    | 版本<br>REV. | 重量<br>Weight                                  | 数量<br>Qty. | 产品名称<br>Part Name                           |                   |                  |
| 绘图<br>Drawn   | BQ LUO       | 18.10.2010       | 标准化<br>Stand.  | -       | -               | 2:3            | V1.0       | -   | -          | -   |                   |                  |
| 审核<br>Checked | P RAO        | 18.10.2010       |                |         |                 |                |            |   |            | -   |                   |                  |
| 工艺<br>Process | -            | -                | 批准<br>Approved | YY LIN  | 18.10.2010      |                |            | All Dimensions in mm<br>Original Size DIN A 4 |            | 厦门唯恩电气有限公司<br>XIAMEN WAIN ELECTRICAL CO.LTD |                   |                  |