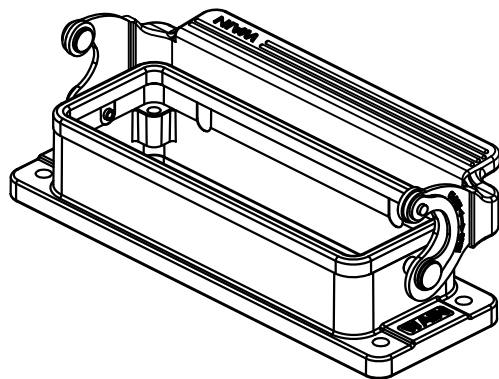


面板开孔图  
Panel cut out



技术参数:

- 材料: 压铸铝
- 表面处理: 粉末喷涂
- 颜色: RAL 7037 (灰色)
- 温度范围:  $-40^{\circ}\text{C}$  -  $+125^{\circ}\text{C}$
- 防护等级: IP67
- 出线方向: 底部出线
- 联锁元件:
  - 锁扣方式: 金属单扣
  - 材料: 不锈钢+软胶
- 密封元件: NBR

Technical Specification:

- Material: aluminium die-cast
- Surface: powder-coated
- Colour: RAL 7037(grey)
- Temperature range:  $-40^{\circ}\text{C}$  -  $+125^{\circ}\text{C}$
- Degree of protection: IP67
- Cable entry: bottom entry
- Locking element:
  - Locking type: single locking latch
  - material: stainless steel+TPR
- Hoods/Housings sealing: NBR

|               |              |                  |            |                 |               |   |            |              |   |                   |               |
|---------------|--------------|------------------|------------|-----------------|---------------|---|------------|--------------|---|-------------------|---------------|
|               |              |                  |            |                 |               | 表面处理<br>Finish                                | -          |              |   | 图号<br>Drawing No. | -             |
|               |              |                  |            |                 |               | 材料<br>Material                                | -          |              |   | 产品代号<br>Part Code | W24B-BK-1L/SC |
| 标记<br>Mark    | 处数<br>Number | 变更描述/Description |            | 签名<br>Signature | 日期<br>Date    |   |            |              |   | 产品料号<br>Part No.  | -             |
| 绘图<br>Drawn   | SY JI        | 日期/Date          | 18.10.2017 | 姓名/Name         | 标准化<br>Stand. | 比例<br>Scale                                   | 版本<br>REV. | 重量<br>Weight | 数量<br>Qty.                                  | 产品名称<br>Part Name | -             |
| 审核<br>Checked | HZ LAN       | 日期/Date          | 18.10.2017 | 姓名/Name         | -             | 1:2   | V1.0       | -            | -   |                   |               |
| 工艺<br>Process | -            | 日期/Date          | -          | 批准<br>Approved  | YY LIN        | All Dimensions in mm<br>Original Size DIN A 4 |            |              | 厦门唯恩电气有限公司<br>XIAMEN WAIN ELECTRICAL CO.LTD |                   |               |