

△配套HC650插芯使用时此开孔宽度为43mm

Match with insert HC650, the distance between the two openings is 43mm

面板开孔图
 Panel cut out

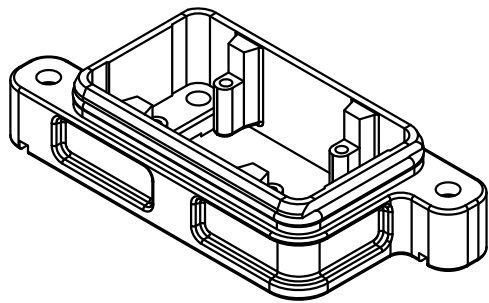
Note: △配套额定电流为650A的插芯 (HC650-M, HC650-F, HC650-MC, HC650-FC) 时, 该开孔尺寸宽度为43mm, 若面板强度足够, 能保证产品安装时, 面板不会出现变形, 适配其他规格的插芯时, 该开孔宽度亦可采用43mm.
 match with inserts with rated current 650A (HC650-M, HC650-F, HC650-MC, HC650-FC), and the distance between the two openings is 43 mm. If the panel is strong enough to avoid distortion during assembly, the distance between the two openings still could be 43 mm, when the shell matches with other inserts.

技术参数:

- 材料: 压铸铝
- 表面处理: 粉末喷涂
- 颜色: RAL 9005 (黑色)
- 温度范围: -40℃ - +125℃
- 防护等级: IP68/IP69K
- 出线方向: 底部出线
- 密封元件: NBR

Technical specification:

- Material: aluminium die-cast
- Surface: powder-coated
- Colour: RAL 9005(black)
- Temperature range: -40℃ - +125℃
- Degree of protection: IP68/IP69K
- Cable entry: bottom entry
- Hoods/Housings sealing: NBR



						表面处理 Finish	-			图号 Drawing No.	-
						材料 Material	-			产品代号 Part Code	HP6B/H-BKH-2H
标记 Mark	处数 Number	变更描述/Description		签名 Signature	日期 Date		比例 Scale	版本 REV.	重量 Weight	数量 Qty.	产品料号 Part No.
姓名/Name	日期/Date	姓名/Name	日期/Date	2:1	V1.1	152g					-
绘图 Drawn	BQ LUO	18.10.2010	标准化 Stand.	-	-	All Dimensions in mm Original Size DIN A 4			厦门唯恩电气有限公司 XIAMEN WAIN ELECTRICAL CO.LTD		
审核 Checked	P RAO	18.10.2010									
工艺 Process	-	-	批准 Approved	YY LIN	18.10.2010						