

技术参数:

- 产品系列: MR23
- 插针数: 12
- 插针直径(mm) :  $\phi 1$
- 接线范围(mm<sup>2</sup>/AWG): 0.03-1.0/AWG32-16
- 接线方式: 冷压连接
- 额定电流(25℃): 7A
- 额定电压: 125V
- 额定脉冲电压: 2.0KV
- 过电压保护等级: III
- 污染等级: 3
- 插针需单独订购。

机械参数:

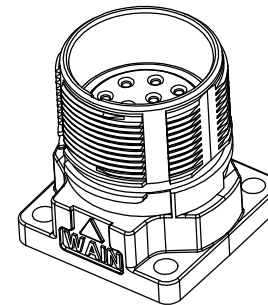
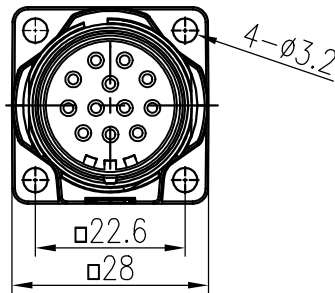
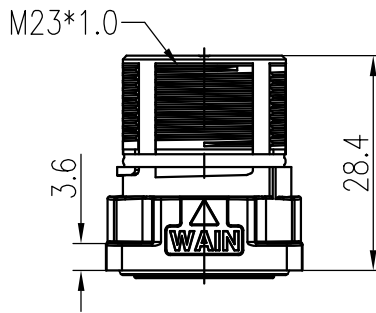
- 外壳材质: 铜合金, 锌合金
- 外壳表面处理: 镀镍
- 插芯材质: PBT
- 密封材质: 氟橡胶
- 温度范围: -40℃...+130℃
- 电缆直径: 4.5-14.5mm 屏蔽
- 插拔次数: >500
- 防护等级: IP67

Technical specification:

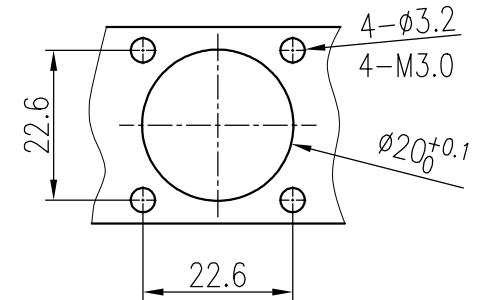
- Series: MR23
- Number of contacts: 17
- Contact diameter(mm):  $\phi 1$
- Wire gauge(mm<sup>2</sup>/AWG): 0.03-1.0/AWG32-16
- Terminal: Crimp
- Rated current(25℃): 7A
- Rated voltage: 125V
- Rated impulse voltage: 2.0KV
- Overvoltage category: III
- Pollution degree: 3

Mechanical specification:

- Material of housing: CuZn,Zinc(GD-Zn)
- Finish of housing:Nickel-plated
- Material of Insert:PBT
- Material of sealing:FPM
- Temperature range: -40℃...+130℃
- Cable Outlet: 4.5-14.5mm Shielded
- Mating cycles: >500
- Degree of protection: IP67
- Contact need to be ordered separately.

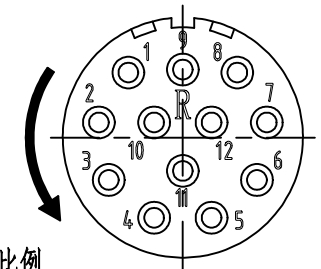


面板安装开孔图 Panel cut out



针位排布图

Contact arrangement



比例

Scale: 2:1

|               |              |                  |                |          |                 |   |             |            |   |                   |                      |   |
|---------------|--------------|------------------|----------------|----------|-----------------|---|-------------|------------|---|-------------------|----------------------|---|
|               |              |                  |                |          |                 | 表面处理<br>Finish                                | -           |            |   | 图号<br>Drawing No. |                      |   |
|               |              |                  |                |          |                 | 材料<br>Material                                | -           |            |   | 产品代号<br>Part Code | MR23-012R-BK28-0D3.2 |   |
| 标记<br>Mark    | 处数<br>Number | 变更描述/Description |                |          | 签名<br>Signature | 日期<br>Date                                    |             |            |   | 产品料号<br>Part No.  | 1810123002004        |   |
|               |              | 姓名/Name          | 日期/Date        |          | 姓名/Name         | 日期/Date                                       | 比例<br>Scale | 版本<br>REV. | 重量<br>Weight                                | 数量<br>Qty.        | 产品名称<br>Part Name    | - |
| 绘图<br>Drawn   | MY DAI       | 12.29.2023       | 标准化<br>Stand.  | -        | -               | -   | 1:1         | V1.0       | 40g   | -                 |                      |   |
| 审核<br>Checked | ZQ XU        | 12.29.2023       |                |          |                 |   |             |            |   |                   |                      |   |
| 工艺<br>Process | -            | -                | 批准<br>Approved | HQ ZHANG | 12.29.2023      | All Dimensions in mm<br>Original Size DIN A 4 |             |            | 厦门唯恩电气有限公司<br>XIAMEN WAIN ELECTRICAL CO.LTD |                   |                      |   |